

Automotive Antenna

Specification

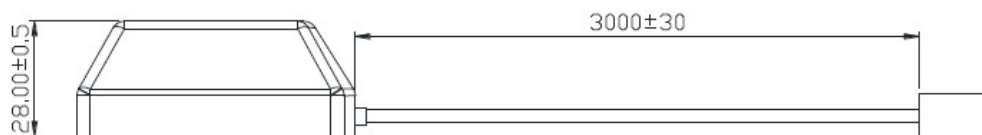
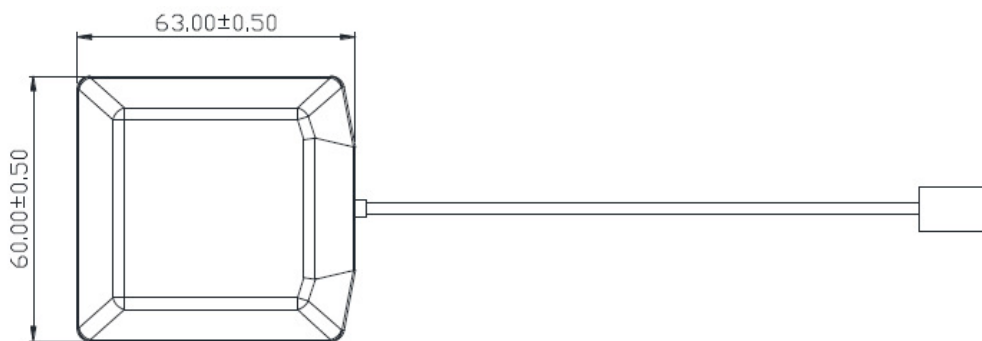
Type	L1/L2/L5/L6
Part No	GPSLX09U6W-S5-00-A

Product name	GPSLX09U6W-S5-00-A
---------------------	---------------------------

Appearance



	Specification
Frequency Range (MHz)	L1:1559~1610 MHz L2:1192~1231 MHz
Gain (dB)	2.0 dBic min 5.0 dBic min
Noise Figure (dB)	2.0 dB typ
Filter Outband attenuation	40.0dB typ fo±100MHz
Output V.S.W.R	<2.0:1
Voltage (V)	-
Current (mA)	23±4 mA (at 5.0±0.1V)
Dimension (mm)	60x63x26mm



Connector appearance : SMA PLUG

