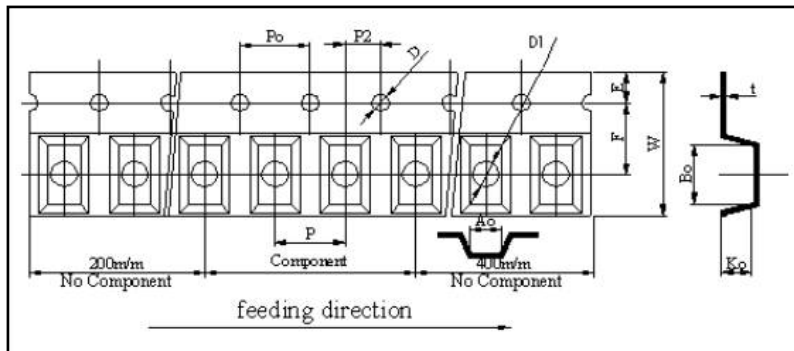
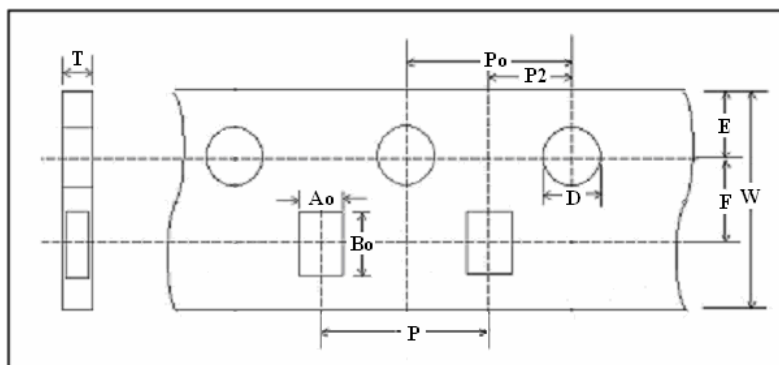


■ TAPE AND REEL SPECIFICATIONS

PLASTIC CARRIER



PAPER CARRIER



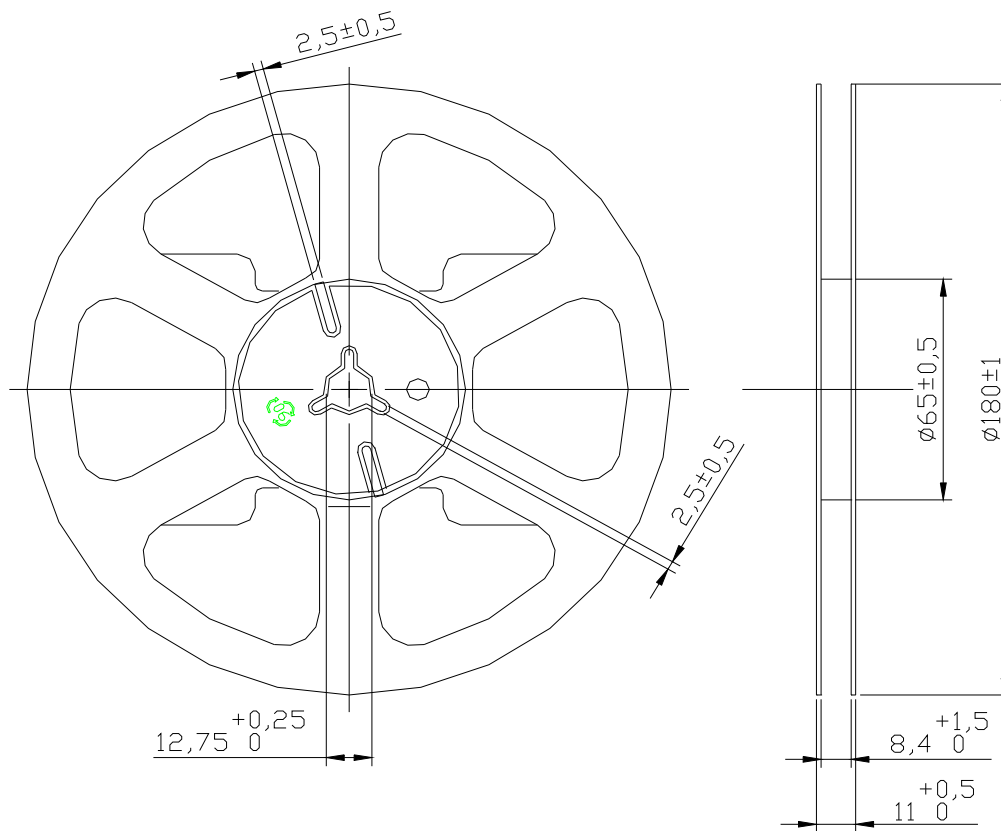
■ TAPING DIMENSIONS

Unit: mm

	453215	451616	322513	321611	201212	201209	201209	160808	100505
Symbol	PLASTIC	PLASTIC	PLASTIC	PLASTIC	PLASTIC	PLASTIC	PAPER	PAPER	PAPER
W	12 ±0.1	11.7~12.3	7.7~8.3	7.9~8.3	7.9~8.3	7.9~8.3	8.0 ±0.1	8.0 ±0.1	8.0 ±0.1
P	8.0 ±0.1	4.0 ±0.1	4.0 ±0.1	4.0 ±0.1	4.0 ±0.1	4.0 ±0.1	4.0 ±0.1	4.0 ±0.1	2.0 ±0.05
E	1.75 ±0.1	1.75 ±0.1	1.75 ±0.1	1.75 ±0.1	1.75 ±0.1	1.75 ±0.1	1.75 ±0.1	1.75 ±0.10	1.75 ±0.05
F	5.5 ±0.05	5.5 ±0.05	3.5 ±0.05	3.5 ±0.05	3.5 ±0.05	3.5 ±0.05	3.5 ±0.1	3.5 ±0.1	3.5 ±0.05
D	1.55 ±0.05	1.55 ±0.05	1.55 ±0.05	1.55 ±0.05	1.50 ±0.05	1.50 ±0.10	1.56 ±0.10	1.56 ±0.10	1.55 ±0.05
D1	1.5~1.75	1.5~1.75	0.95~1.20	0.95~1.20	0.95~1.20	1.0~1.25	NA	NA	NA
Po	4.0 ±0.1	4.0 ±0.1	4.0 ±0.1	4.0 ±0.1	4.0 ±0.1	4.0 ±0.1	4.0 ±0.1	4.0 ±0.1	4.0 ±0.1
Po10	40 ±0.2	40 ±0.2	40 ±0.2	40 ±0.2	40 ±0.2	40 ±0.2	40 ±0.2	NA	NA
P2	2.0 ±0.05	2.0 ±0.05	2.0 ±0.05	2.0 ±0.05	2.0 ±0.05	2.0 ±0.05	2.0 ±0.1	2.0 ±0.1	2.0 ±0.05
Ao	3.66 ±0.1	1.83 ±0.1	2.57 ±0.1	1.85 ±0.1	1.42 ±0.1	1.42 ±0.1	1.50 ±0.05	1.05 ±0.05	0.62 ±0.03
Bo	4.95 ±0.1	4.85 ±0.1	3.4 ±0.1	3.43 ±0.1	2.26 ±0.1	2.24 ±0.1	2.30 ±0.05	1.85 ±0.05	1.12 ±0.03
Ko(T)	1.83 ±0.1	1.83 ±0.1	1.32 ±0.1	1.22 ±0.1	1.30 ±0.1	1.04 ±0.10	0.95 ±0.05	0.95 ±0.05	0.60 ±0.03
t	0.23 ±0.1	0.29±0.1	0.25 ±0.1	0.25 ±0.1	0.23 ±0.1	0.25 ±0.1	NA	NA	NA

■ REEL DIMENSIONS

Unit: mm



Reel Packaging Quantity									
PART SIZE (EIA SIZE)		1005 (0402)	1608 (0603)	201209 (0805)	201212 (0805)	321611 (1206)	3225 (1210)	4516 (1806)	4532 (1812)
7" REEL	Qty. (pcs)	10,000	4,000	4,000	3,000	3,000	2,000	2,000	1,000

**The Contents of a box :**

- 4532 (1812): 4 reels / inner box ;
- 4516(1806): 4 reels / inner box ;
- 3225 (1210): 5 reels / inner box ;
- 3216 (1206): 5 reels / inner box ;
- 2012(0805): 5 reels / inner box ;
- 1608 (0603): 5 reels / inner box ;
- 1005(0402): 5 reels / inner box .