

◆ Feature

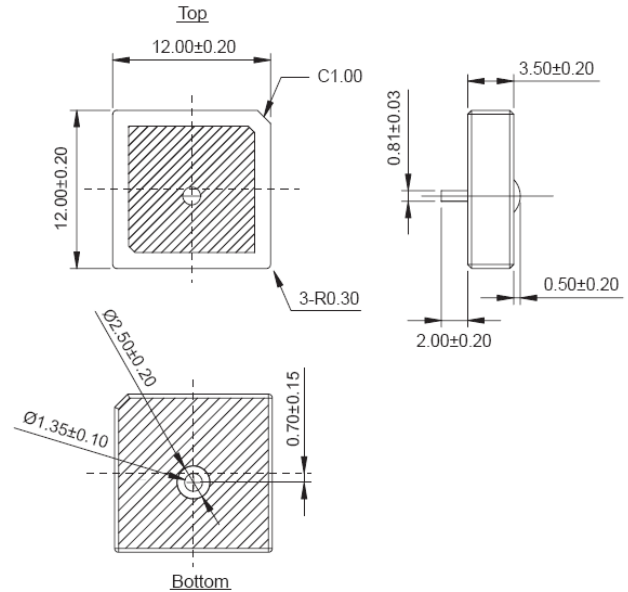
- 1.High gain
- 2.Customization available
- 3.Pin type
- 4.Compact size and low profile
- 5.RoHS compliant




◆ Application

Automobile, Navigator, Marine, Aviation, Handheld Device

◆ Dimension (mm): 12x12x3.5



◆ Specification

Center Frequency (MHz)	1580 ± 1.5
Bandwidth (MHz)	6.0 max.
Gain at Zenith (dBic)	-1.5 typ.
Gain at 10° Elevation (dBic)	-6.0 typ.
Polarization	R.H.C.P.
Impedance (Ω)	50 typ.
Frequency Temperature Coefficient (ppm/°C)	0 ± 20
Axial Ratio (dB)	≤ 3
Testing Condition	R Type: 20 mm Square Ground Plane
Package	R type: 80 pcs/tray