

◆ Feature

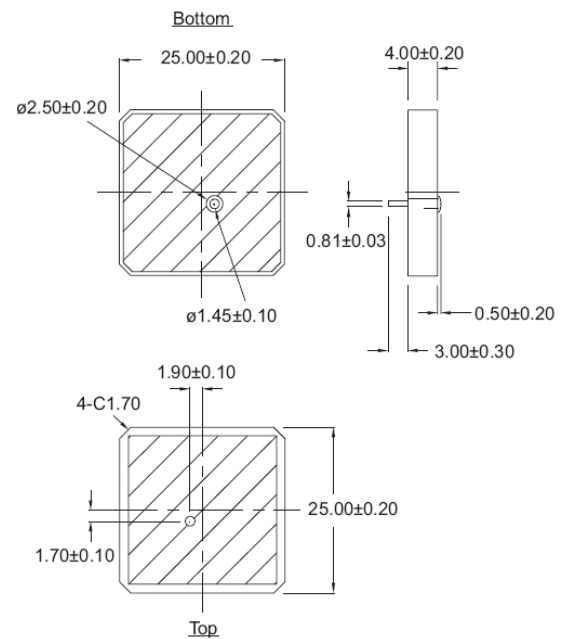
- 1.High gain
- 2.Customization available
- 3.Pin type
- 4.Compact size and low profile
- 5.RoHS compliant




◆ Application

Automobile, Navigator, Marine, Aviation, Handheld Device

◆ Dimension (mm): 25×25×4



◆ Specification

Center Frequency (MHz)	1580 ± 3
Bandwidth (MHz)	10.0 min.
Gain at Zenith (dBic)	5.0 typ.
Gain at 10° elevation (dBic)	-1.0 typ.
Polarization	R.H.C.P.
Impedance (Ω)	50 typ.
Frequency Temperature Coefficient (ppm/°C)	0 ± 20
Axial Ratio (dB)	≤ 3
Testing Condition	I Type: 70 mm Square Ground Plane
Package	I type: 50 pcs/tray