

◆ Feature

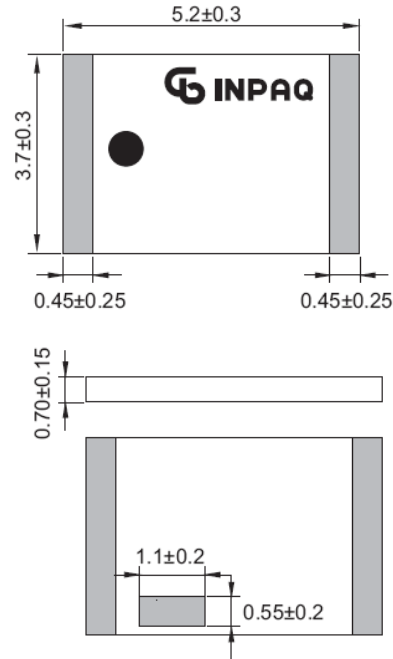
- 1.High gain and single band
- 2.Compact size and low profile
- 3.Omni-Direction
- 4.SMD type
- 5.RoHS compliant

◆ Application

Bluetooth, WLAN, Wi-Fi, ZigBee,802.11b/g



◆ Dimension (mm): 5.2×3.7×0.7



◆ Specification

Center Frequency (MHz)	2450
Bandwidth (MHz)	180
V.S.W.R.	< 2.5
Polarization	Linear
Radiation Pattern	Omni-Direction
Peak Gain (dBi)	3 typ.
Impedance (Ω)	50 typ.
Efficiency (%)	80 typ.
Matching Circuit	Pi matching circuit
Testing Condition	Measured on 80mm × 40mm Antenna Evaluation Board
Package	2,000 pcs/reel