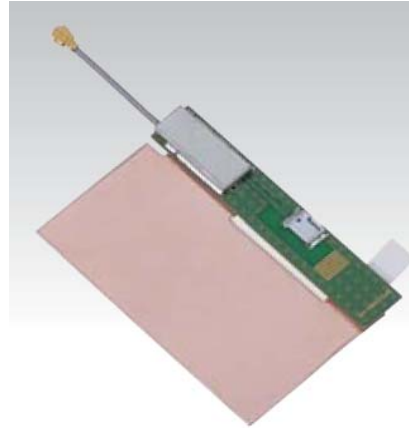


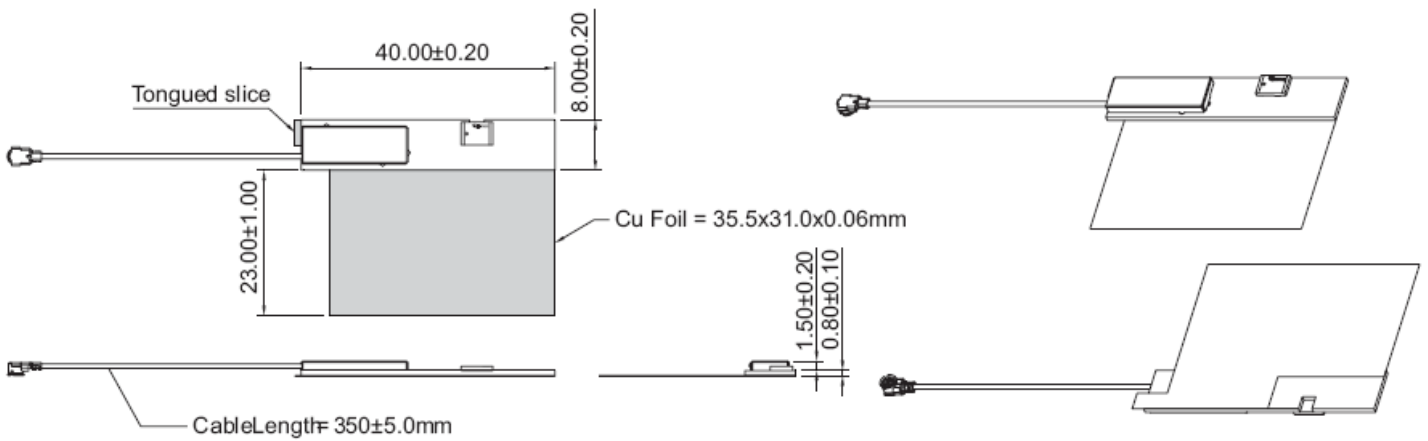
◆ Application

MID, Notebook, Netbook

RoHS



◆ Dimension (mm): 40.0x8.0x2.3



◆ Specification

Mechanism	Cable Type	mini coaxial φ 1.13 mm
	Cable Length	350 mm
	Connector Type	I-PEX MHF
Antenna Performance		
Center Frequency (MHz)		1575.42
Polarization		Linear
Radiation Pattern		Omni-Direction
Impedance (Ω)		50 typ.
Peak Gain (dBi)		-2.26 typ.
Efficiency (%)		32 typ.
Dimension (mm)		5.2 x 3.7 x 0.7
Test Condition		Antenna is measured on 40 mm x 8 mm ground plane without copper foil.
Filter/LNA Performance		
Center Frequency (MHz)		1575.42 \pm 1.023
Gain (dB)		25 \pm 3 (DC=3.0V)
Noise Figure (dB)		1.5 typ. and 2.0 max. (DC=3.0V)
V.S.W.R.		2.0 max. (DC=3.0V)
Operation Voltage (V)		3.0 \pm 0.3
Consumption Current (mA)		6 \pm 2 (DC=3.0 \pm 0.1V)
Overall Performance		
Center Frequency (MHz)		1575.42 \pm 1.023
Average Gain (dB)		20 typ.
Impedance (Ω)		50 typ.
V.S.W.R.		2.0 typ.
Operation Voltage (V)		3.0 \pm 0.3
Consumption Current (mA)		6 \pm 2 (DC=3.0 \pm 0.1V)
Test Condition		Considering about entire module including antenna, LNA, and cable loss.