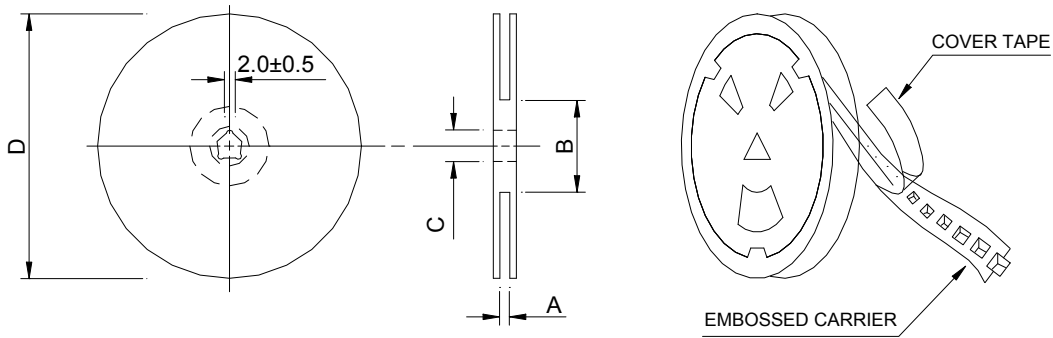


Packing Specifications-SMP1203W

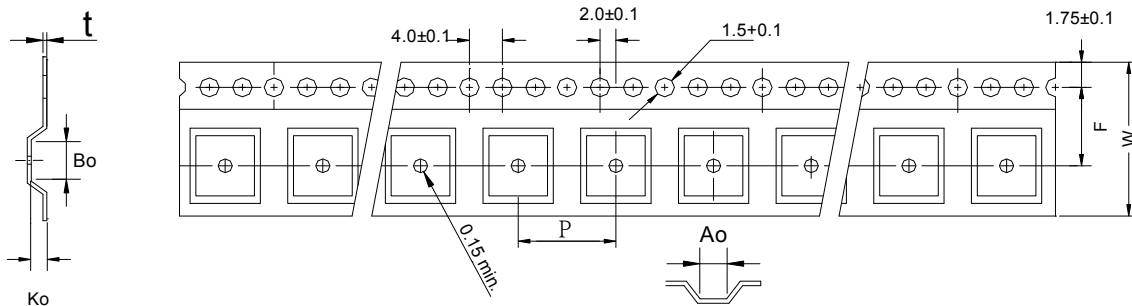
◆Reel Dimension



| Type     | A        | B     | C        | D   |
|----------|----------|-------|----------|-----|
| 13"x24mm | 24.0±0.5 | 100±2 | 13.5±0.5 | 330 |

Unit:mm

◆Tape Dimension



| Series | Size | Bo       | Ao       | Ko      | P        | W      | F        | t         |
|--------|------|----------|----------|---------|----------|--------|----------|-----------|
| SMP    | 1203 | 13.9±0.1 | 13.5±0.1 | 4.5±0.1 | 16.0±0.1 | 24±0.3 | 11.5±0.1 | 0.35±0.05 |

◆Packaging Quantity

|             |      |
|-------------|------|
| SMP         | 1203 |
| Chip / Reel | 600  |
| Inner box   | 1200 |
| Carton      | 4800 |