

◆ **Feature**

1. Automatic process.
2. Available in magnetically shielded.
3. New designed terminal for low cost.
4. Low DC resistance.
5. Low profile and high currents.
6. RoHS compliant.



◆ **Application**

Excellent for power line DC-DC conversion applications used in power switching, such as Mobile phone, MP3 / MP4, DSC / DVC, PDA / GPS, Portable Hard Disk / TV.

◆ **How to Order**

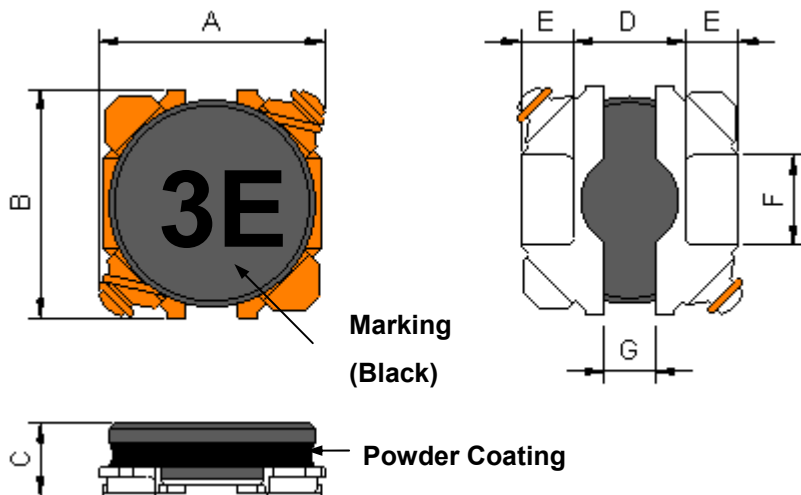
IPC   4015   F   3R3   N   A1  
 (1)   (2)   (3)   (4)   (5)   (6)

- (1) Product Series
- (2) Dimensions
- (3) Model code
- (4) Inductance Code
- (5) Inductance Tolerance Code: M-±20%, N-±30%
- (6) Control S/N

◆ **Dimension**

Unit: mm

Series	A	B	C	D	E	F	G
IPC4015F Series	4.0±0.2	3.9±0.2	1.5 max.	2.1 typ.	0.96 typ.	1.6 typ.	1.1 typ.



### ◆ Specification

Part Number	Inductance L (μH)	Rated Current		DCR (mΩ) ±20%
		I <sub>RMS</sub> (A)	I <sub>SAT</sub> (A)	
IPC4015F-1R0N-A1	1.0	1.85	3.6	48
IPC4015F-1R5N-A1	1.5	1.7	2.9	57
IPC4015F-2R2N-A1	2.2	1.6	2.5	66
IPC4015F-3R3N-A1	3.3	1.45	2.2	94
IPC4015F-4R7M-A1	4.7	1.3	1.9	120
IPC4015F-6R8M-A1	6.8	1.1	1.4	170
IPC4015F-100M-A1	10	0.95	1.1	230
IPC4015F-150M-A1	15	0.75	0.9	350
IPC4015F-220M-A1	22	0.63	0.8	490
IPC4015F-470M-A1	47	0.5	0.55	1080
IPC4015F-101M-A1	100	0.38	0.33	2460

Note:

1. Test Frequency - L : 100KHz / 0.1Vdc
2. Testing Instrument - L : HP4285A, RDC : Chroma 16502
3. Heat Rated Current (I<sub>rms</sub>) - Based on temperature rise ( $\Delta T$  : 40°C TYP.).
4. Saturation Current (I<sub>sat</sub>) - Based on inductance change ( $\Delta L/L_0$  :  $\leq -30\%$ ) @ ambient temp. 25°C

### ◆ Package

Dimensions	Height			
	1.0 mm	1.2 mm	1.5 mm	1.6~2.0 mm
3.0x3.0 mm	IPC3010F	IPI2D11N	IPI2D14N	IPI2D18N
		IPC3012F	IPC3015F	IPC3020F
4.0x4.0 mm	IPC4010F	IPI3D11N	IPI3D14N	IPI3D16N
		IPC4012F	IPC4015F	IPC4018F
5.0x5.0 mm	IPC5010F	IPI4D11NT	IPI4D14N	IPI4D18N
		IPC5012F	IPC5015F	IPC5020F
<b>Package</b>				
<b>Standard Packing Quantity (pcs/reel)</b>		3000		