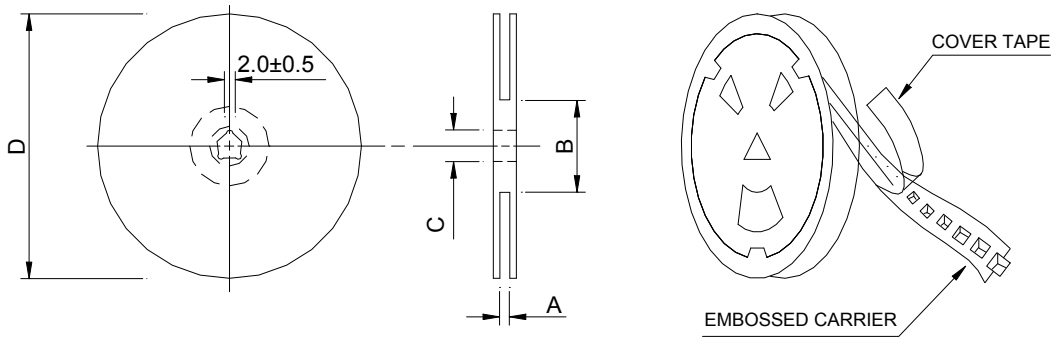


Packing Specification-

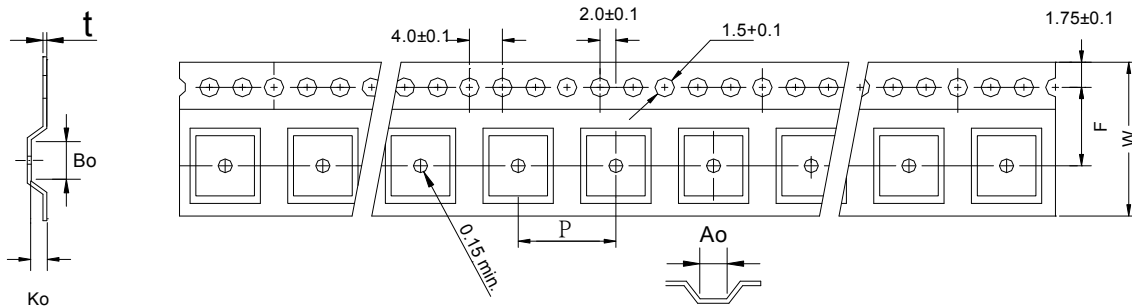
◆Reel Dimension



Type	A	B	C	D
13"x24mm	24.0±0.5	100±2	13.5±0.5	330

◆Tape Dimension

Unit:mm



Series	Size	Bo	Ao	Ko	P	W	F	t
SMP	0603	7.9±0.1	7.2±0.1	3.3±0.1	12.0±0.1	16±0.3	7.5±0.1	0.35±0.05
SMP	1004	11.8±0.1	10.5±0.1	4.3±0.1	16.0±0.1	24±0.3	11.5±0.1	0.35±0.05
SMP	1203	13.9±0.1	13.5±0.1	4.5±0.1	16.0±0.1	24±0.3	11.5±0.1	0.35±0.05

◆Packaging Quantity

SMP	0603	1004	1203
Chip / Reel	1000	500	600
Inner box	2000	1000	1200
Carton	8000	4000	4800